

**CAST IRON OR DUCTILE IRON  
NON-RISING STEM GATE VALVE BOLTED BONNET**

**DESIGN DESCRIPTION:**

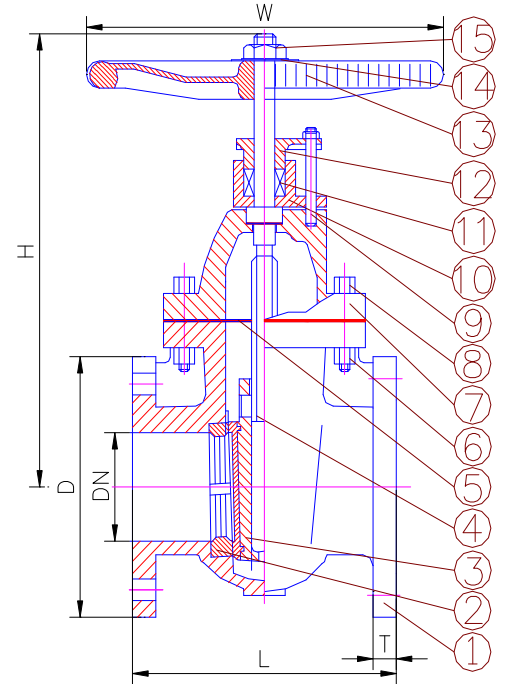
- Design: MSS SP-70;
- Manufacture: Factory STD;
- Face To Face: ANSI B16.10
- Flange: ANSI B16.1, JIS 2212;
- Bolt Bonnet;
- Metal Seal;
- Material and Working Temp.:
  - ◆ Cast Iron and Ductile Iron: 0 °C-80 °C(32°F -176°F)
  - ◆ Brass/bronze Seal: 80 °C(176°F) Maximum
  - ◆ Stainless Steel Seal: 80 °C(176°F) Maximum



**PARTS AND MATERIAL:**

NO.	PARTS NAME	MATERIAL
1	BODY	ASTM A126-B/A536,DIN GG25/GGG40
2	SEAT	BRASS/BRONZE/SS304
3	DISC	BRASS/BRONZE/SS304
4	STEM	SS410
5	GASKET	ASBESTOS JOINT SHEET OR GRAPHITE OR PTFE
6	BONNET NUT	ASTM A107-1020
7	BONNET	ASTM A126-B/A536,DIN GG25/GGG40
8	BONNET BOLT	ASTM A107-1020
9	GLAND BOLT	ASTM A107-1020
10	PACKING BOX	DUCTILE IRON
11	STEM PACKING	GRAPHITE OR PTFE
12	GLAND	DUCTILE IRON
13	HANDWHEEL	ASTM A126 CLASS B
14	O-RING	CARBON STEEL
15	H.W.LUCK NUT	ASTM A107-1020

OTHER MATERIALS ARE AVAILABLE UPON REQUEST.



**DIMENSIONS LIST(UNIT:MM):**

SIZE	DN	D		L		H		D1	T	
		10K	125BLS	10K	125BLS	10K	125BLS		10K	125BLS
2"	50	155	152	180	178	252	252	150	20	15.9
2-1/2"	65	175	178	190	190	270	270	172	22	17.5
3"	75	185	190	200	203	290	290	190	22	19.1
4"	100	210	229	230	229	365	365	220	24	23.9
5"	125	250	254	250	254	420	420	245	24	23.9
6"	150	280	279	270	267	455	455	295	26	25.4
8"	200	330	343	290	292	575	575	340	26	28.6
10"	250	400	406	330	330	686	686	395	30	30.2
12"	300	445	483	350	356	782	782	494	32	31.8
16"	400	560		406		1350			36	
20"	500	675		457		1500			40	

✧ We hereby reserve the rights of any alternative dimension that would help to improve our valve's quality and working efficiency.